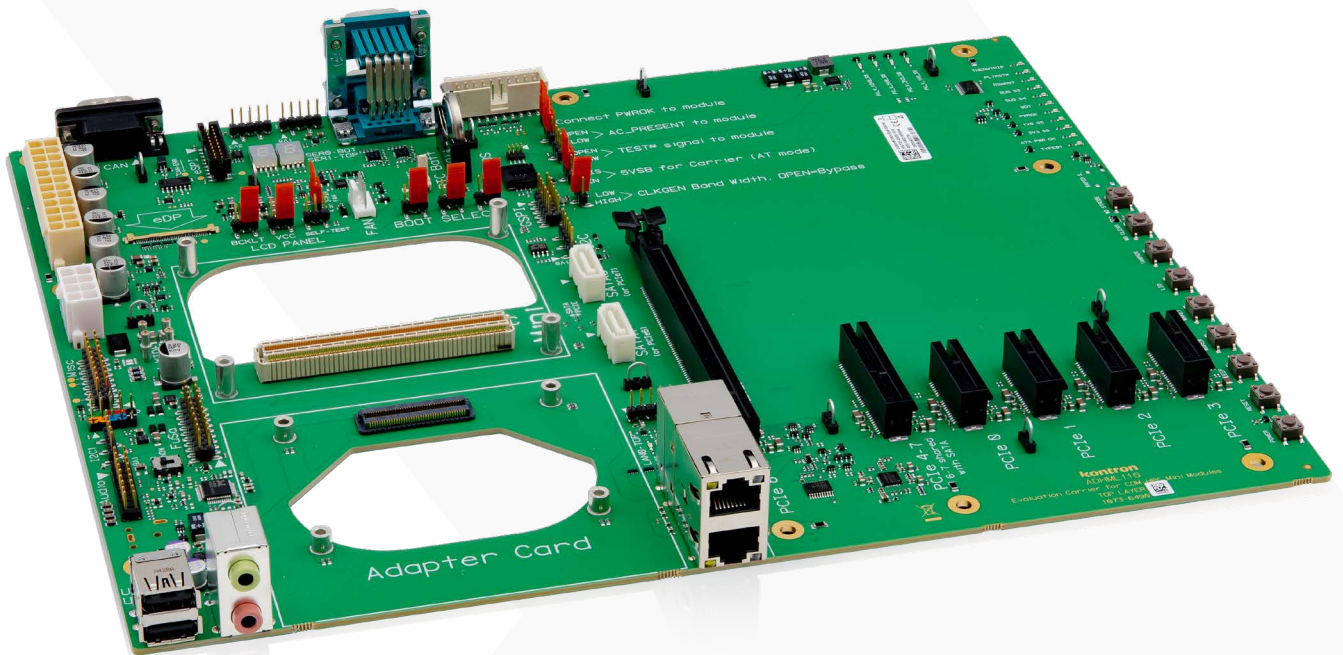


COMh Eval Carrier Mini

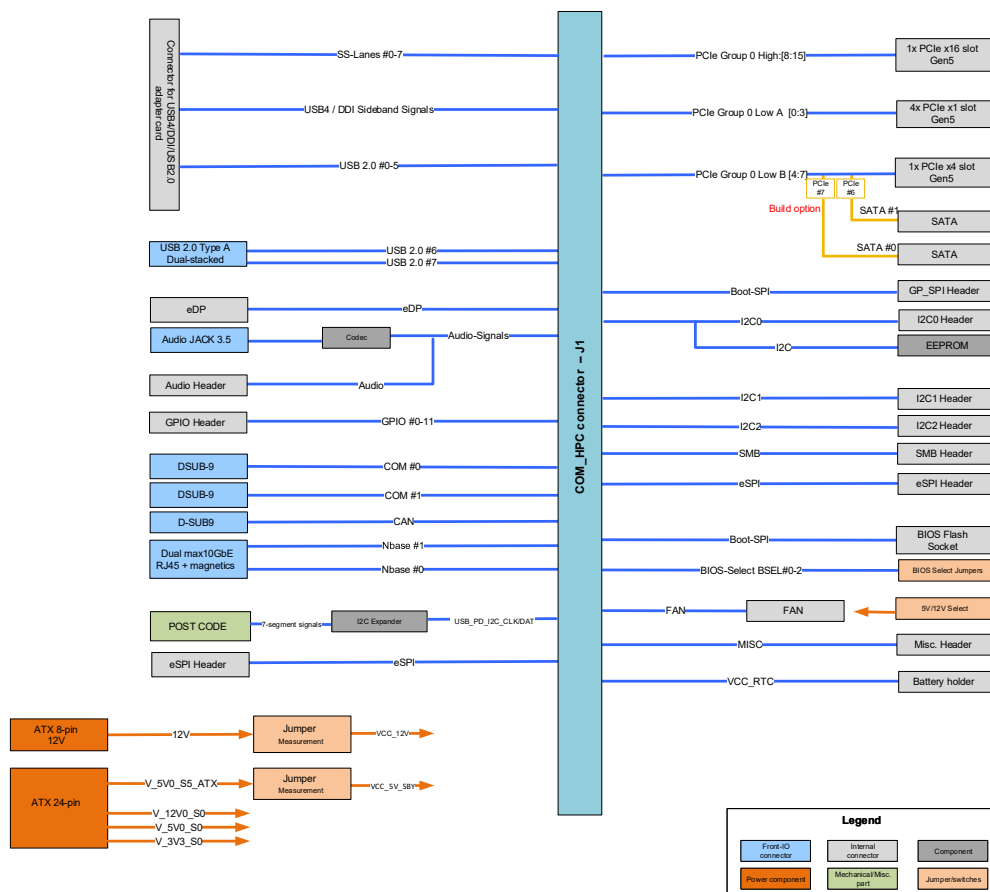


COM-HPC® Mini Evaluation Carrier

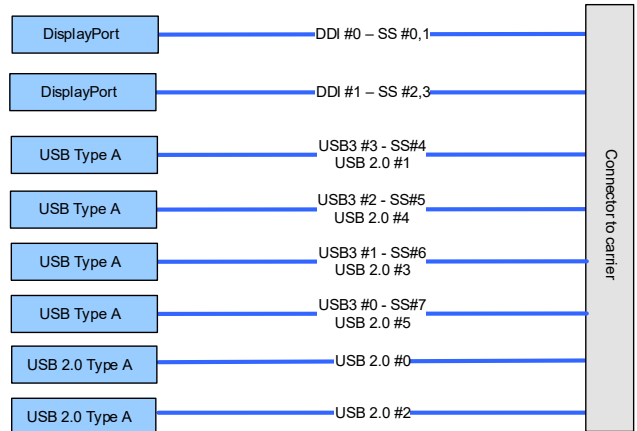
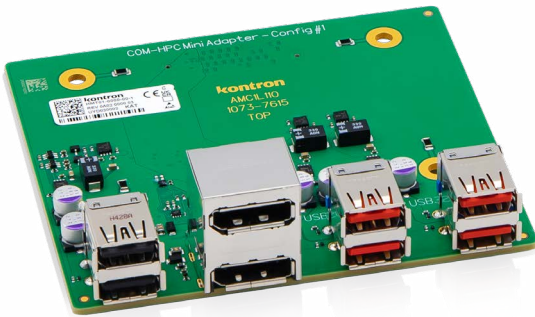
- ▶ COM-HPC® Rev. 1.2, Pin-out Mini
- ▶ ATX Form Factor (305mm x 244mm)
- ▶ Support of overall 16x PCIe lanes via various PCIe card connectors
- ▶ 2x 10/1GBase-T interface
- ▶ Connector interface supporting 8x SuperSpeed-Lanes to connect versatile adapter cards

COMPLIANCE	COM-HPC® Rev. 1.2, Pin-out Mini
DIMENSIONS	305 mm x 244 mm (ATX)
PCI EXPRESS	4x PCIe x1 slot for COM-HPC PCIe 0:3 1x PCIe x4 slot for COM-HPC PCIe 4:7 1x PCIe x16 slot for COM-HPC PCIe 8:15
SATA	2x SATA, onboard connector
GRAPHICS	Via additional adapter card
EDP	1x 40-pin connector
ETHERNET	2x 10G RJ45, front panel
USB	2x USB 2.0 Further ports via additional adapter card
SERIAL	2x DSUB-9, back panel (alternatively 1x DSUB-9 for CAN, back panel)
AUDIO	HD Audio Audio Jack 2 ports, front panel
FAN	4 pin header connector for 4 pol Fan (via jumper selection for 3 pol Fan)
BIOS	SPI Flash Socket W50N8
VARIOUS	Header connector for various status signals Header connectors for eSPI, I2C0, I2C1, I2C2/MDIO, SMB, GP_SPI, GPIO, HDA RTC battery holder I/O Port 80: BIOS POST code via 2x 7-segment display Status LEDs for SUS_S3, SUS_S4/SUS_S5, THERMTRIP, TYPE and others Buttons for PWRBTN, RSTBTN, LID, SLEEP, WAKE0, WAKE1 and others
POWER SUPPLY	ATX, 24 + 8 pin connector

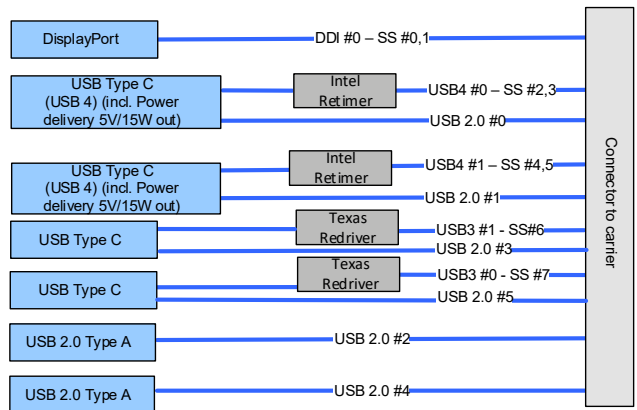
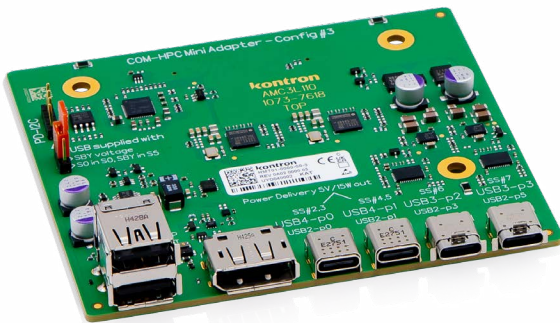
Block Diagram



HMT01-0000-00-1 - COM-HPC/Mini SuperSpeed - ADA-CFG 1



HMT01-0000-00-3 - COM-HPC/Mini SuperSpeed - ADA-CFG 3



ARTICLE	PART NO.	DESCRIPTION
COM-HPC/MINI EVAL-CARRIER 10MM	HMT01-0000-10-0	COM-HPC® Evaluation Carrier Mini with 10 mm COM-HPC connector
COM-HPC/MINI SUPERSPEED - ADA-CFG 1	HMT01-0000-00-1	Adapter Card for COM-HPC/Mini Eval-Carrier supporting 2xDP, 4x USB Type A (USB 3.2 Gen1), 2x USB 2.0
COM-HPC/MINI SUPERSPEED - ADA-CFG 3	HMT01-0000-00-3	Adapter Card for COM-HPC/Mini Eval-Carrier supporting 1xDP, 2xUSB Type C (USB 4), 2x USB Type C (USB 3.2 Gen2), 2x USB 2.0

Global Headquarters

Kontron Europe GmbH

Gutenbergstraße 2
85737 Ismaning, Germany
Tel.: + 49 821 4086-0
info@kontron.com

www.kontron.com