

COMe-bBD6



COM Express® basic type 6 with Intel® Xeon® processor D-1500

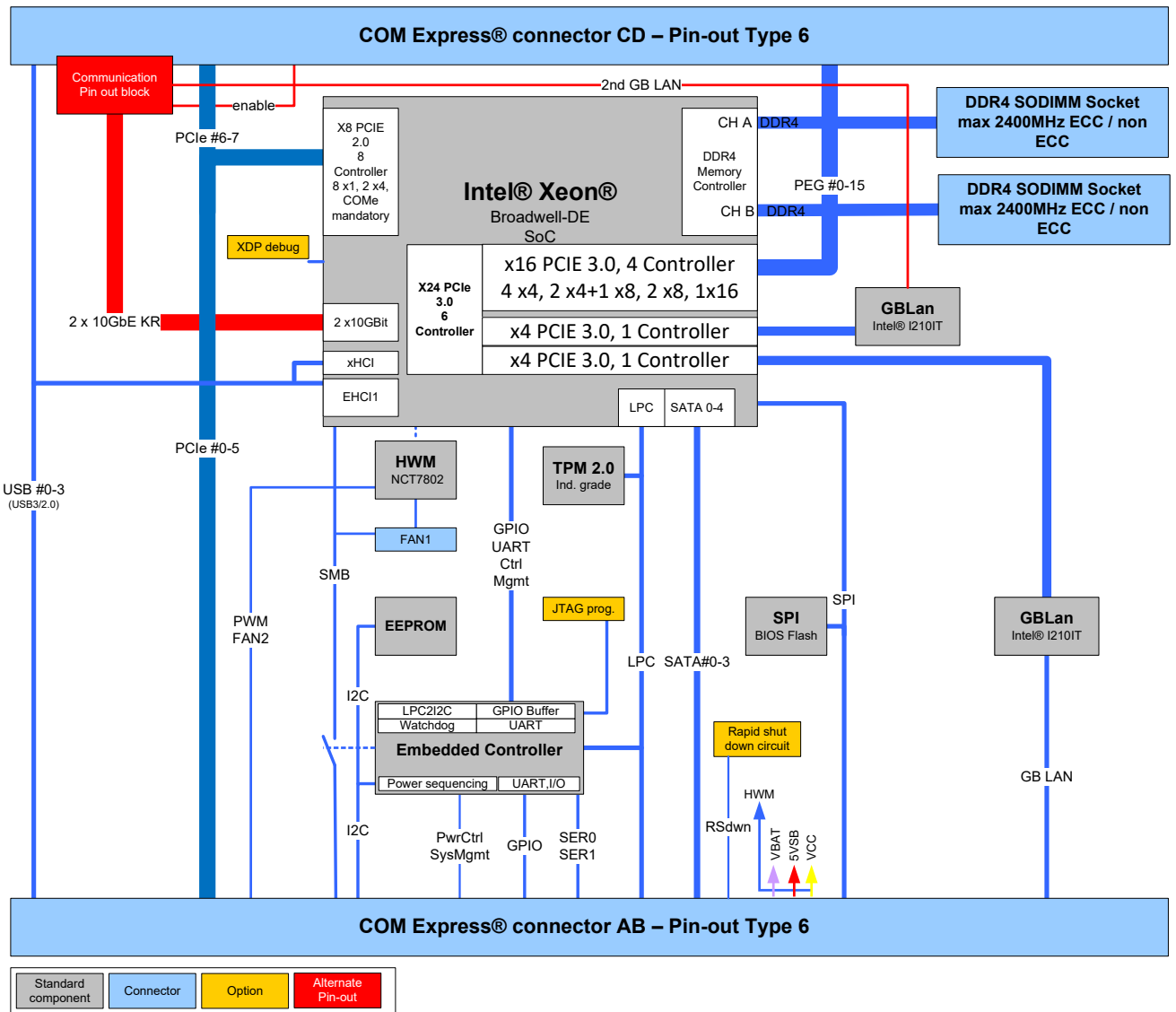
- ▶ Intel® Xeon® D-1500 SoC processor family
- ▶ DDR4 memory technology up to 32 GByte ECC, 2x SODIMMs
- ▶ High-speed connectivity x16 PCIe 3.0 + x8 PCIe 2.0, Dual 10GbE interfaces (on request)

POSSIBILITIES START HERE

► TECHNICAL INFORMATION

COMPLIANCE	COM Express® Basic, Pin-out Type 6 compatible
DIMENSIONS (H x W)	95 x 125mm
CPU (SoC)	Intel® Xeon® Processor D-1548, 8 C, 2.0 GHz, 12 MByte, 45 W, Intel® Xeon® Processor D-1537, 8 C, 1.7 GHz, 12 MByte, 35 W, Intel® Xeon® Processor D-1528, 6 C, 1.9 GHz, 9 MByte, 35 W, Intel® Xeon® Processor D-1527, 4 C, 2.2 GHz, 6 MByte, 35 W, Intel® Pentium® Processor D-1517, 4 C, 1.6 GHz, 6 MByte, 25 W, Intel® Pentium® Processor D-1508, 2 C, 2.2 GHz, 3 MByte, 25 W, Intel® Xeon® Processor D-1518, 4 C, 2.2 GHz, 6 MByte, 35 W, no dual 10GbE KR Intel® Pentium® Processor D1519, 4 C, 1.6 GHz, 6 MByte, 25 W, ind. Temp Intel® Xeon® Processor D-1539, 8 C, 1.6 GHz, 12 MByte, 35 W, ind. Temp Intel® Xeon® Processor D-1559, 12 C, 1.5 GHz, 18 MByte, 45 W, ind. Temp
MAIN MEMORY	2x DDR4 SODIMM dual channel up to 32 GByte ECC or non ECC
ETHERNET CONTROLLER	Intel® I210IT
ETHERNET	1x 10/100/1000 MBit Ethernet Special Communication interface block (alternative pin out, not standardized) 2nd 10/100/1000 MBit Ethernet, Intel I210IT Dual 10GbE Interface (KR) integrated in SoC
STORAGE	4x SATA3, 6Gb/s
FLASH ONBOARD	-
PCI Express®	16x PCIe 3.0 (4 controllers, x4, x8, x16 configuration) + 8x PCIe2.0 (8 controllers, x1, x2, x4 configuration)
USB	4x USB 3.0/2.0
SERIAL	2x serial interface (RX/TX only)
COMMON FEATURES	SPI, LPC, SMB, Fast I ² C, Staged Watchdog, RTC
BIOS	AMI UEFI
HUMIDITY	93 % relative Humidity at 40 °C, non-condensing (according to IEC 60068-2-78)
OPTIONS	Onboard SATA SSD up to 32 GByte SLC
POWER MANAGEMENT	ACPI 4.0
POWER SUPPLY	ATX, 8.5 V – 20 V Wide Range, Single Supply Power
SPECIAL FEATURES/ SECURITY	TPM 2.0, INFINEON SLB9665XQ2.0
SPECIFICATIONS	Commercial grade Version Temperature 0 - 60 °C, Industrial grade Versions -40 °C to +85 °C
OPERATING SYSTEMS	Linux, Windows Server 2008 R2 SP1 / 2012, /2012 R2 Windows 7 and 8.1, VxWorks 7.x
TEMPERATURE	Commercial Temperature 0 - 60 °C Industrial temperature -40 °C to +85 °C (specified SKUs only)
SUPPORTED MODULES	COMe-bBD6 68002-xxxx-xx-x commercial grade COMe-bBDi6R 68003-xxxx-xx-x industrial grade (specified SKUs only)

► BLOCKDIAGRAM



► GLOBAL HEADQUARTERS

Kontron Europe GmbH

Gutenbergstraße 2
 85737 Ismaning, Germany
 Tel.: +49 821 4086-0
 Fax: +49 821 4086-111
 info@kontron.com

www.kontron.com